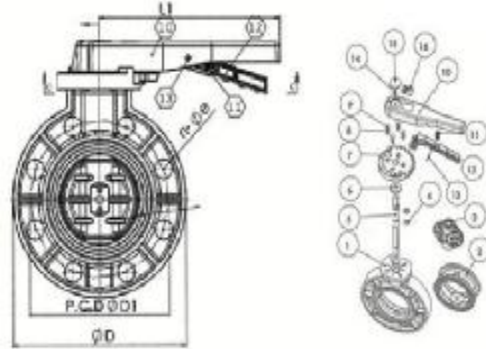


OK-611-UPVC



OK VALVE®
宏邦阀门

NO.	PART	Choose	QTY
1	BODY	PVC/CPVC/PP/FRPP	1
2	SEAT	EPDM	1
3	DISC	PVC/CPVC/PP/FRPP	1
4	STEM	SS416/SS304/SS316	2
5	BUSHING	PTFE	5
6	O-RING	EPDM/VITON	3
7	LEVER	PVC	1
TEST PRESSURE		SHELL	SEAL
	HYDROSTATIC	2.4 MPa	1.76 MPa
STANDARD	DESIGN CODE	API 609/EN 593	
	INSPECTION & TEST	API 598/EN 12266	
	END STANDARD	PN16 150LB	
	FACE TO FACE	API 609/EN 558	



GENERAL CHARACTERISTICS

Design according with API 609/EN 593

Tightness in both ways. Lug type with threaded ears

Flexible sleeve adapted to the shape of the body assures low operating torque. High and low semi stem giving a high flow coefficient, machined disc on periphery giving a low and regular torque. Unejectable stem, mounting flange according to ISO 5211.



STANDARDS

Manufacture according to the requirements of the European directive 2014/68/EU «Equipment under pressure»: modulate H. Face to face according to standards NF EN 558 serie 20, ISO 5752 série 20, DIN 3202.

Mounting with flanges PN16/150LB from DN50 to DN600 from DN200 to DN300 according to API 609/EN 1092-2.

Pressure test according to standards API 609/EN 12266-1, DIN 3230, BS 6755 and ISO 5208

Size	H1	H2	L	n-φ	φ C
2"/DN50	100	120	43	4-19	PN10/16 150LB 10K
2-1/2"/DN65	110	137	46	4-19	PN10/16 150LB 10K
3"/DN80	132	143	49	8-19	PN10/16 150LB 10K
4"/DN100	155	162	54	8-19	PN10/16 150LB 10K
5"/DN125	167	195	64	8-19	PN10/16 150LB 10K
6"/DN150	180	208	70	8-23	PN10/16 150LB 10K
8"/DN200	225	240	88	8-23	PN10/16 150LB 10K