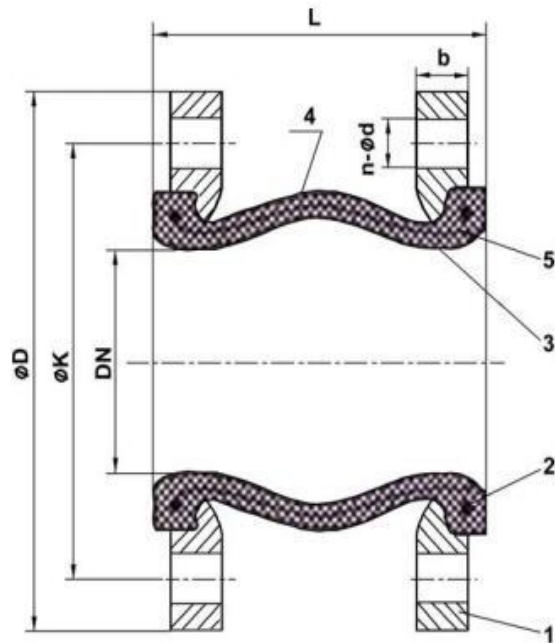


OK-303-JOINT



OK VALVE®
宏邦阀门

NO.	PART	Choose	QTY
1	FLANGE	Zinc plated steel	2
2	Reinforced wire	Steel	2
3	Internal bellow	EPDM /NBR	1
4	External bellow	EPDM /NBR	1
5	Reinforcement	Nylon tyre cord	1
TEST PRESSURE		SHELL	SEAL
	HYDROSTATIC	2.4 MPa	1.76 MPa
STANDARD	DESIGN CODE	EN 593	
	INSPECTION & TEST	EN 12266	
	END STANDARD	PN10/16	
	FACE TO FACE	EN 558	



GENERAL CHARACTERISTICS

EPDM/NBR rubber bellows.

Zinc-plated steel flanges drilled ends - PN16.

Movement :

- Axial compression,
- Axial extension,
- Lateral movement.

STANDARDS

Pressure test according to standards

EN 12266-1, DIN 3230, BS 6755 and ISO 5208.

Flanges drilled according to ISO PN16 EN 1092-1 .



Size	L	φ D	φ K	b	n-φ d
2"/DN50	130	165	125	15	PN10/16
2-1/2"/DN65	130	185	145	15	PN10/16
3"/DN80	130	200	160	17	PN10/16
4"/DN100	130	220	180	17	PN10/16
5"/DN125	130	250	210	19	PN10/16
6"/DN150	130	285	240	21	PN10/16
8"/DN200	130	340	295	21	PN10/16